

EASY SAMPLING



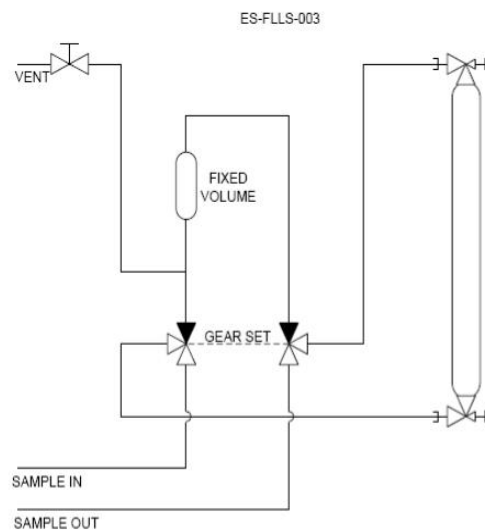
CLOSED LOOP PROCESS SAMPLE VALVES MODEL ES-FLLS-003

Safe & Accurate Sampling for Liquids

- ▶ Quick disconnects allow for easy removal and transportation of the sample cylinder
- ▶ A continuous flow of sample assures representative sample
- ▶ Self-sealing quick disconnect fittings prevent leakage when cylinders is removed
- ▶ Safer for environment and operator.
- ▶ Simple operation and low maintenance.

The **ES-FLLS-003** liquid sampler is designed to collect process samples without emissions to the atmosphere or exposure to the operator.

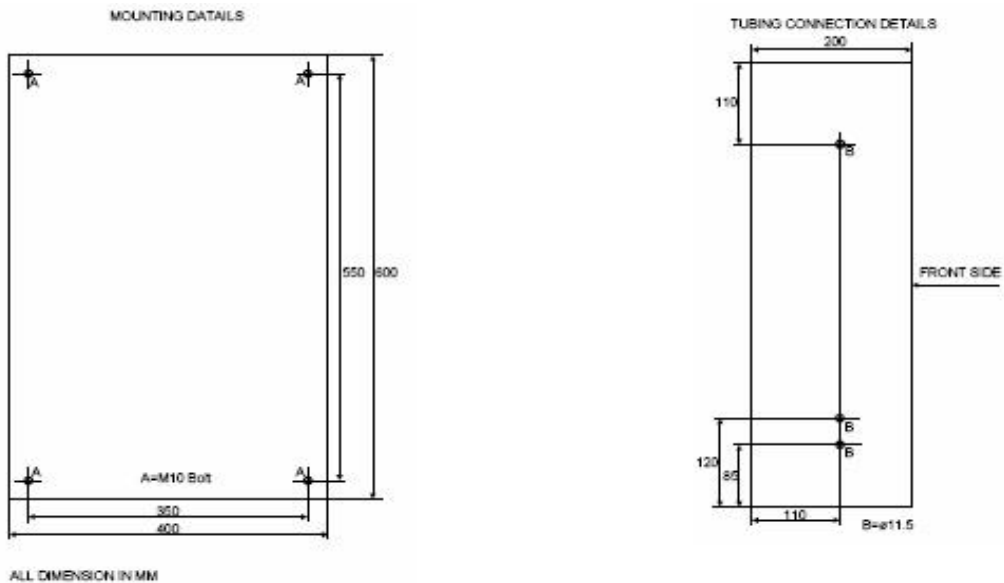
Dead volume is minimized. The fast loop insures representative sample availability at the valve at all times



EASY SAMPLING

Sampler Model ES-FLLS-003 " 500 cc."

- ▶ Customer Interface connection : 1/4 " OD. (1/4" npt. And 6 mm.od available)
- ▶ Components materials : SS-316 / Viton / Teflon.
- ▶ Quick connectors : SS-316 / Viton
- ▶ Pressure rating : 1800 PSIG / 125 BAR
- ▶ Temperature rating : -25 °C. To 70 °C.



For all other options consult your authorized sales representative

For Further information, contact :

